

**Transition Damper • 6½" Deep • Pin-Lock Blades • Parallel or Opposed • Round and Oval Transition • Extruded Aluminum**

**For use to 4 in. w.g. of static pressure**

### STANDARD CONSTRUCTION

**FRAME:** 1⅝" x 6½" x 1⅝" extruded aluminum channel frame with a .080" thick aluminum transition piece.

**BLADE:** Extruded aluminum, pin-lock design.

**SHAFT:** ½" dia. aluminum shaft, extends 7" beyond frame.

**BEARINGS:** Double-sealed.

**LINKAGE:** In jamb, out of air stream.

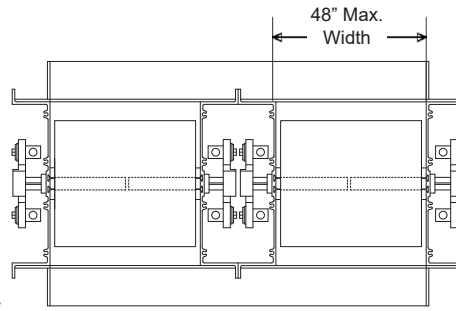
**FINISH:** Mill.

### OPTIONS

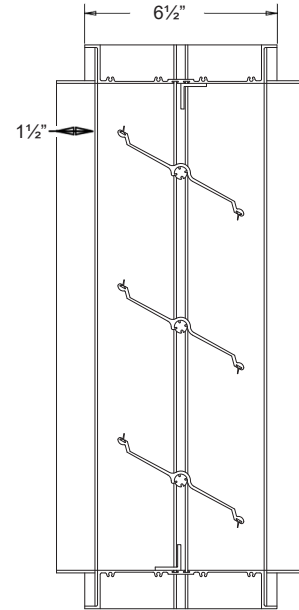
1. ¼" nominal deduction will be made to the opening size given.
2. Please specify blade position: Parallel or Opposed.
3. Approximate shipping weight is 7 lbs./sq.ft.

### NOTES

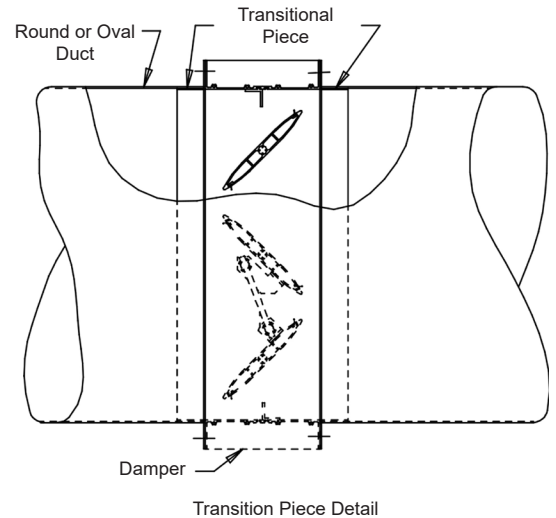
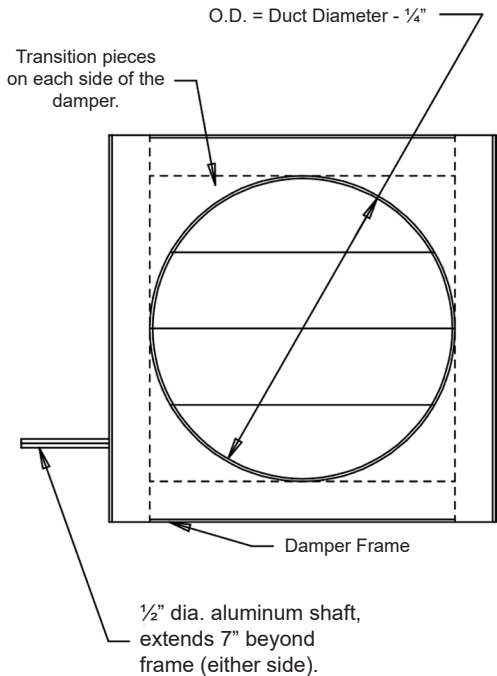
Min Size	Max Size
10"W x 10"H	48"W x 48"H



Opposed Blade Position



Parallel Blade Position  
Not to scale.



Transition Piece Detail

Item #	Qty	Width	Height	Parallel	Opposed	Round	Oval	Union Made
				Damper Size (in.)		Blade Position		
Arch. / Eng.:		EDR:		ECN:		Job:		
Contractor:		Date:		DWN:		DWG:		
Project:								



In the interest of product development, Louvers & Dampers reserves the right to make changes without notice.

www.louvers-dampers.com

450 Riverside Drive • Wyalusing PA, 18853 • Phone 570-746-1888 • Fax 570-746-9286

